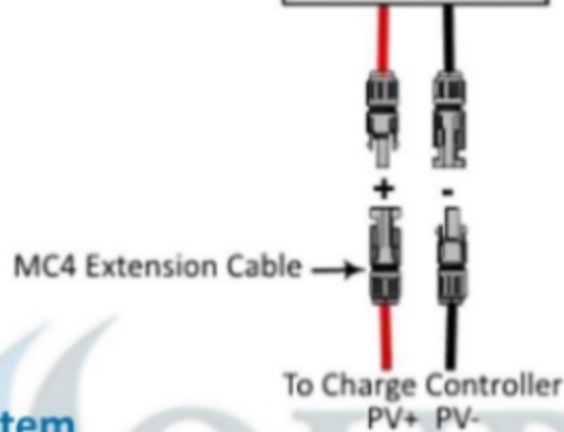
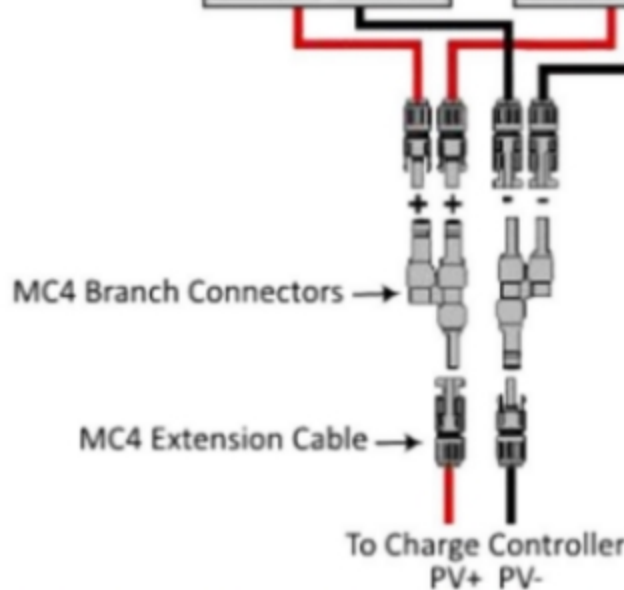
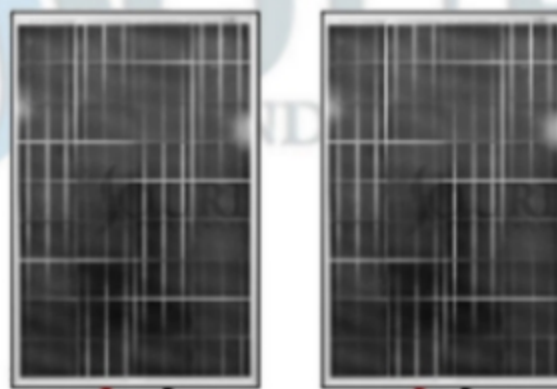


Solar Panel Placement and Wiring

100 watt - 12 Volt System

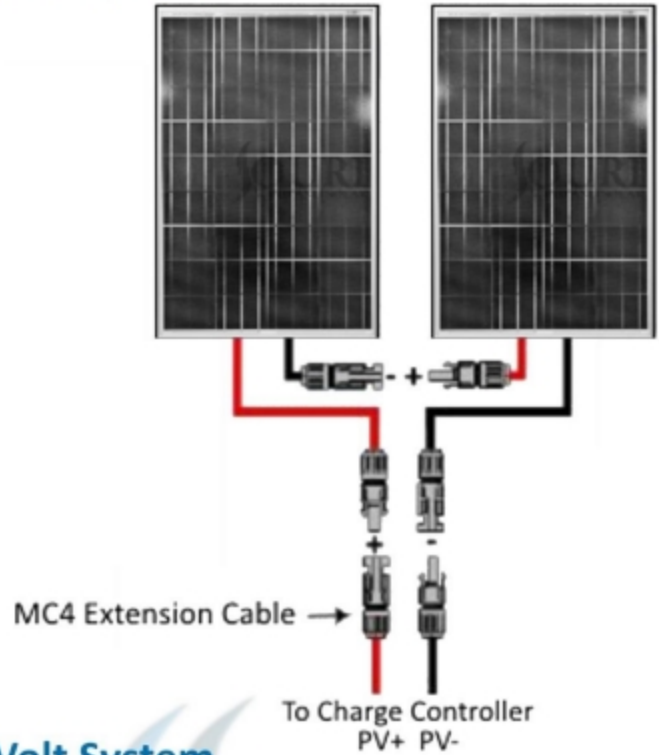


200 watt - 12 Volt System

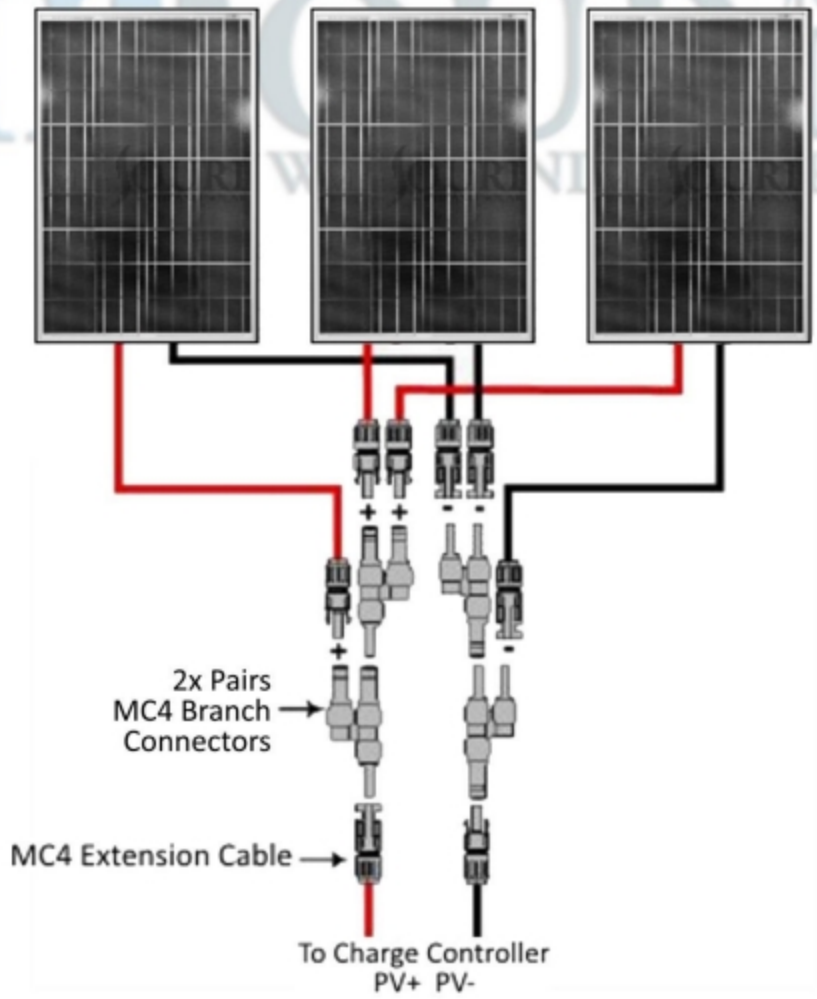


Please note that all panels shown in these diagrams are 12 volts, either wired in parallel or series

200 watt - 24 Volt System

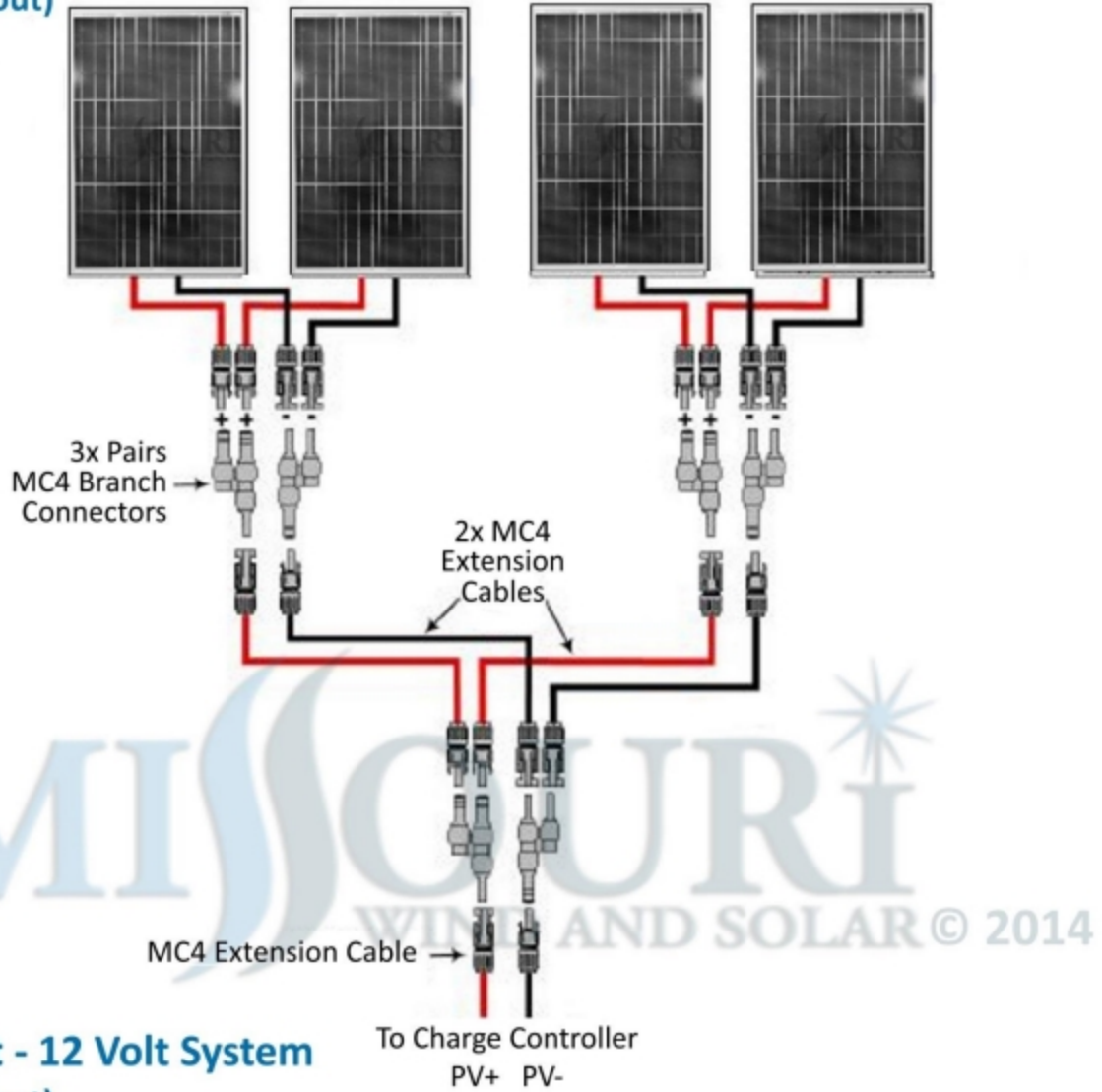


300 watt - 12 Volt System

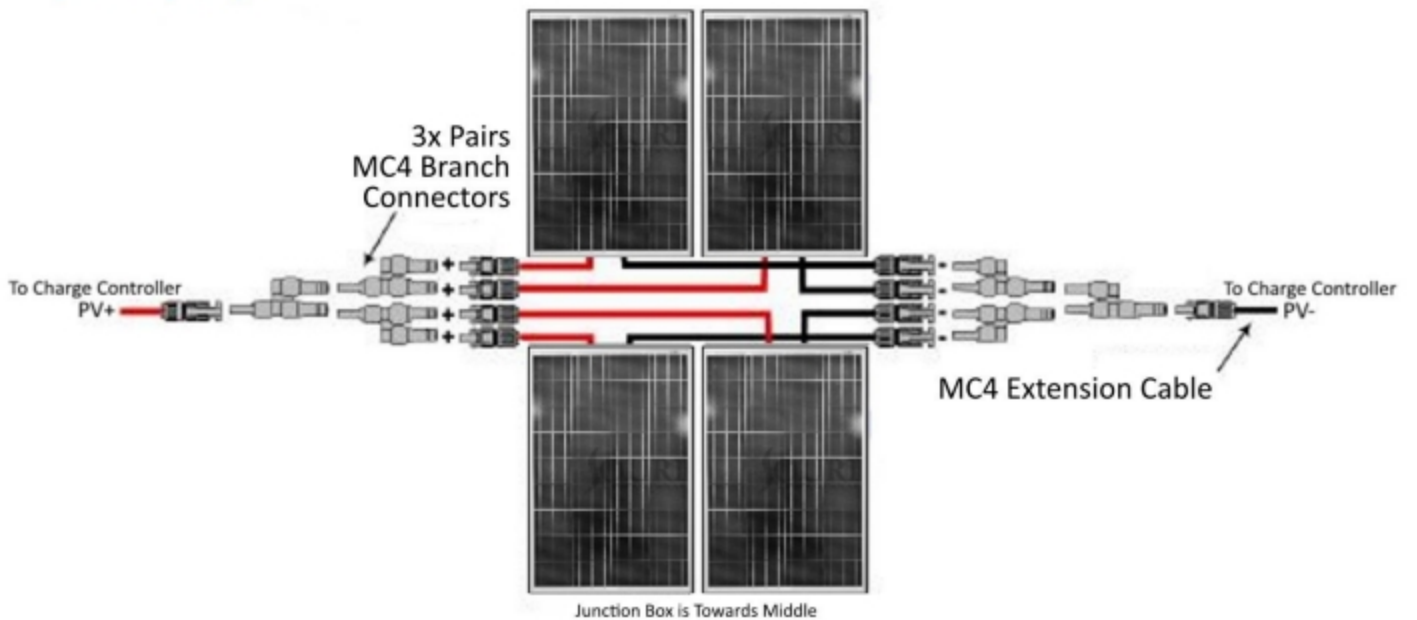


Please note that all panels shown in these diagrams are 12 volts, either wired in parallel or series

400 watt - 12 Volt System (1x4 Layout)

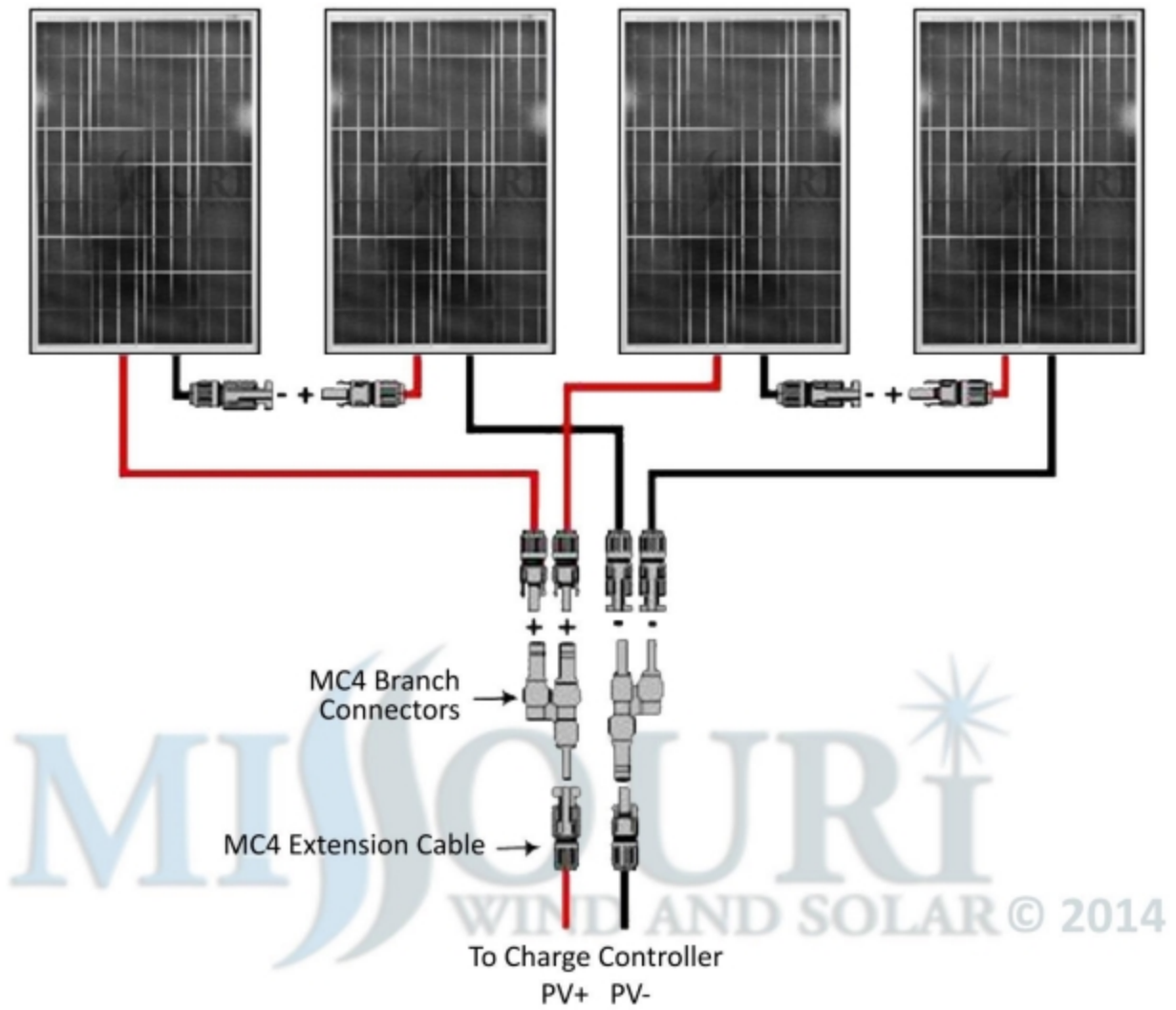


400 watt - 12 Volt System (2x2 Layout)



Please note that all panels shown in these diagrams are 12 volts, either wired in parallel or series

400 watt - 24 Volt System



Please note that all panels shown in these diagrams are 12 volts, either wired in parallel or series